
Comfort-Aire®

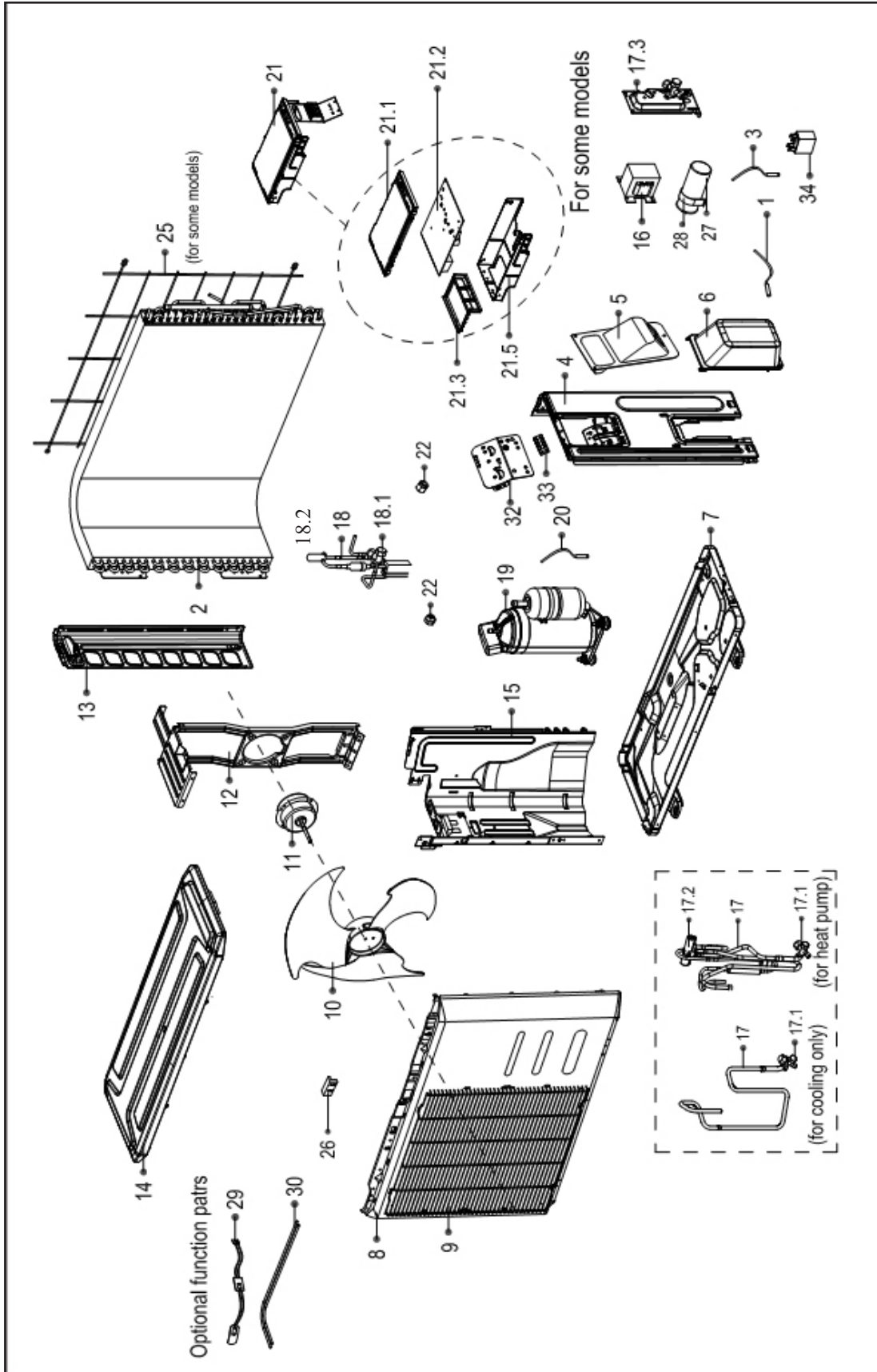
Century®

PARTS LIST

**Inverter Single Zone
Outdoor Ductless Mini-Split**

A-VMH12SU-1

EXPLODED VIEW



REPLACEMENT PARTS

Location	Part Name	Quantity	Part No.
1	Room Temperature Sensor	1.0	11201007000039
2	Condenser Assembly	1.0	15822000002212
3	Temperature Sensor	1.0	11201007000069
4	Right clapboard assembly	1.0	12222000005745
5	Big handle	1.0	12222000005102
6	Water Collecting Cover	1.0	12122000007150
7	Chassis assembly	1.0	12222000004326
8	Front panel	1.0	12222000004463
9	Air outlet grille	1.0	12222000007424
10	Axial fan	1.0	12100105000051
11	Brushless DC Motor	1.0	11002015000041
12	Fan Motor Holder Subassembly	1.0	12222200001462
13	Left supporter	1.0	12222000006504
14	Top cover assembly	1.0	12222200001291
15	Separator Assembly	1.0	12222200001146
16	Reactor	1.0	17400306000053
17	4-Way valve assembly	1.0	15422000004192
17.1	Low Pressure Valve	1.0	15500204000058
17.2	4-way Valve	1.0	15500216000028
17.3	Installing plate for valves	1.0	12222000002571
18	Liquid valve Assembly	1.0	15422000004032
18.1	High-Voltage valve	1.0	15500208000028
18.2	Electric expansive valve (EEV)	1.0	15500213000178
19	Inverter Controlled Rotary Compressor	1.0	11103020000215
20	Discharge temperature sensor assembly	1.0	11201007000005
21	Electronic control box assembly	1.0	17222000008509
21.1	Electric Installing Box Subassembly	1.0	12122000006856
21.2	Outdoor power board assembly	1.0	17122000017250
21.3	Supporting Plate	1.0	12122000014683
21.5	Electric Installing Box Subassembly	1.0	12222000001325
22	Copper nut	1.0	15500406000012
22	Copper nut	1.0	15500406000016
25	Rear Net	1.0	12222000003622
29	Electric heating strip of compressor	1.0	17402001000008
32	Terminal Installing Plate	1.0	12222000002259
33	Wire holder	1.0	17400401000075

Due to ongoing product improvements, specifications and dimensions are subject to change and correction without notice or incurring obligations. Determining the application and suitability for use of any product is the responsibility of the installer. Additionally, the installer is responsible for verifying dimensional data on the actual product prior to beginning any installation preparations.

Incentive and rebate programs have precise requirements as to product performance and certification. All products meet applicable regulations in effect on date of manufacture; however, certifications are not necessarily granted for the life of a product. Therefore, it is the responsibility of the applicant to determine whether a specific model qualifies for these incentive/rebate programs.

Comfort-Aire® **Century**®

1900 Wellworth Ave., Jackson, MI 49203 • Ph. 517-787-2100 • www.marsdelivers.com

